

FORGED INTEGRAL BONNET NEEDLE VALVES - SINV SERIES - TUBE ENDS

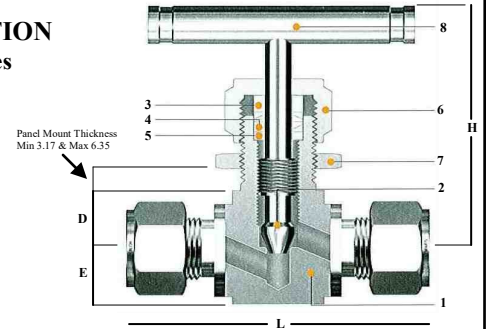


- ◆ **Operating Temp**
-54° C ~ +232° C
- ◆ **Max. Operating Pressure**
F316 : 5000PSIG

•All Dimensions in MM

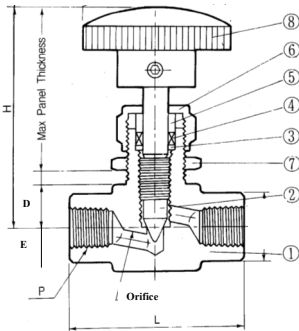
MATERIALS OF CONSTRUCTION

No.	Description	F316 Valves
1.	Body	316ss
2.	Stem	316ss
3.	Packing Gland	316ss
4.	Packing	PTFE
5.	Packing Support	316ss
6.	Packing Nut	316ss
7.	Lock Nut	316ss
8.	Handle	P.C.



PART No	TUBE OD	L	D	E	H	Cv	Orifice	Panel Hole Drill Size
43-SINV-2-S-4	1/4	57.4	11.2	9.7	51.5	0.37	4.4	13.5
43-SINV-3-S-6	3/8	65.6	12.7	12.7	63.5	0.73	6.3	20.0
43-SINV-3-S-8	1/2	71.2	14.0	12.7	63.5	0.73	6.3	20.0

FORGED INTEGRAL BONNET NEEDLE VALVES - SINV SERIES - FEMALE BSP ENDS



MATERIALS OF CONSTRUCTION

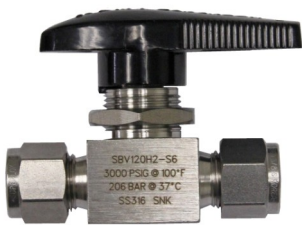
No.	Description	F316 Valves
1.	Body	316ss
2.	Stem	316ss
3.	Packing Support	316ss
4.	Packing	PTFE
5.	Packing Gland	316ss
6.	Packing Nut	316ss
7.	Lock Nut	316ss
8.	Handle	P.C.

- ◆ **Operating Temp**
-54° C ~ +232° C
- ◆ **Max. Operating Pressure**
F316 : 5000PSIG



PART No	THREAD	L	D	E	H	Cv	Orifice	Panel Hole Drill Size
43-SINV-3-F-4	1/4	53.8	12.7	12.7	63.5	0.73	6.3	20.0
43-SINV-3-F-6	3/8	76.2	19.1	19.1	99.5	1.8	9.5	26.2
43-SINV-4-F-8	1/2	76.2	19.1	19.1	99.5	1.8	9.5	26.2

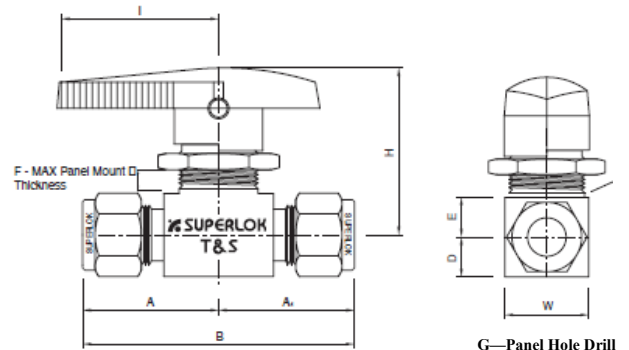
BALL VALVES - SBV120 SERIES



Operating Temp -10°C - 65°C
Operating Pressure 2500PSI

MATERIALS OF CONSTRUCTION

No.	Description	F316 Valves
1.	Handle	Nylon
2.	Set Screw	Steel
3.	Packing Bolt	316ss
4.	Upper Gland	316ss
5.	Bushing	PTFE
6.	Lower Gland	316ss
7.	Packing	PTFE
8.	Stem	316ss
9.	Panel Nut	304ss
10.	Body	316ss



G—Panel Hole Drill

PART No	PORT	ORIFICE	Cv	B	E	D	F	G	H
43-SBV120-H2-S-4	1/4tube	4.8	2.4	60.4	11.2	9.4	4.8	19.8	43.7
43-SBV120-H2-S-6	3/8tube	4.8	1.5	65.0	11.2	9.4	4.8	19.8	43.7
43-SBV120-H4-S-8	1/2tube	10.3	12.0	100.0	17.5	17.5	9.4	38.1	71.8
43-SBV120-H2-F-4	1/4bsp	4.8	0.9	52.4	11.2	9.4	4.8	19.8	43.7
43-SBV120-H3-F-6	3/8bsp	7.1	2.6	63.6	14.2	14.2	9.4	28.5	56.1
43-SBV120-H4-F-8	1/2bsp	10.3	6.3	79.2	17.5	17.5	9.4	38.1	71.8